

March 7, 2023

**ADDENDUM NO. 1
SABINE RIVER AUTHORITY OF TEXAS
Lake Fork Fence Improvements RFB# 23-0701**

THIS ADDENDUM IS ISSUED FOR THE PURPOSE OF AMENDING THE CONTRACT DOCUMENTS FOR THE SABINE RIVER AUTHORITY OF TEXAS, AS FOLLOWS:

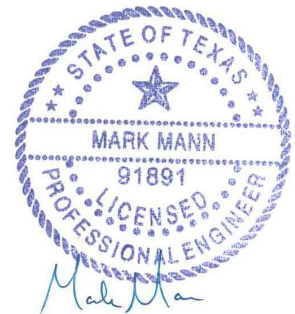
Plans

- Delete Plan Sheet 3 of 3 - Fence Details and replace with the attached. The automatic slide gate has been revised, and gate detail added for the woven wire manual gate areas.

Clarifications

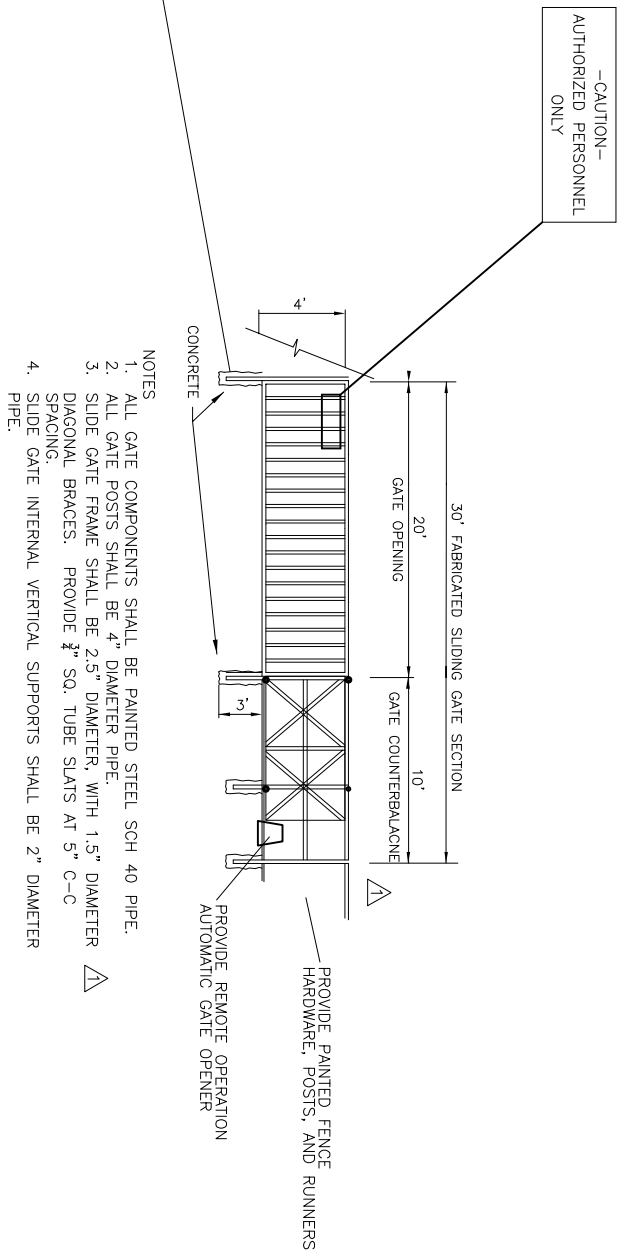
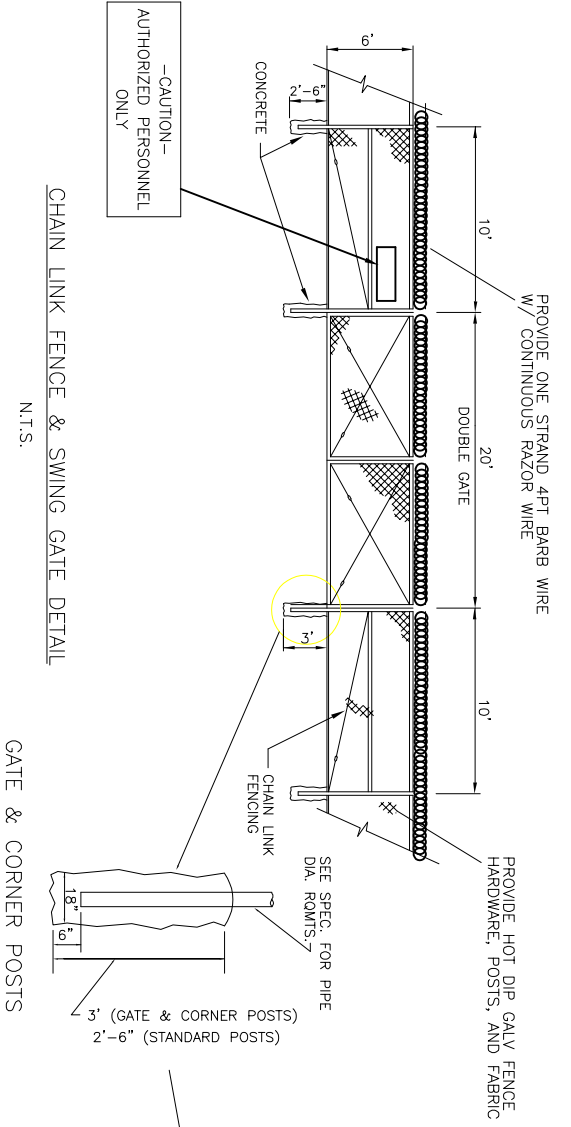
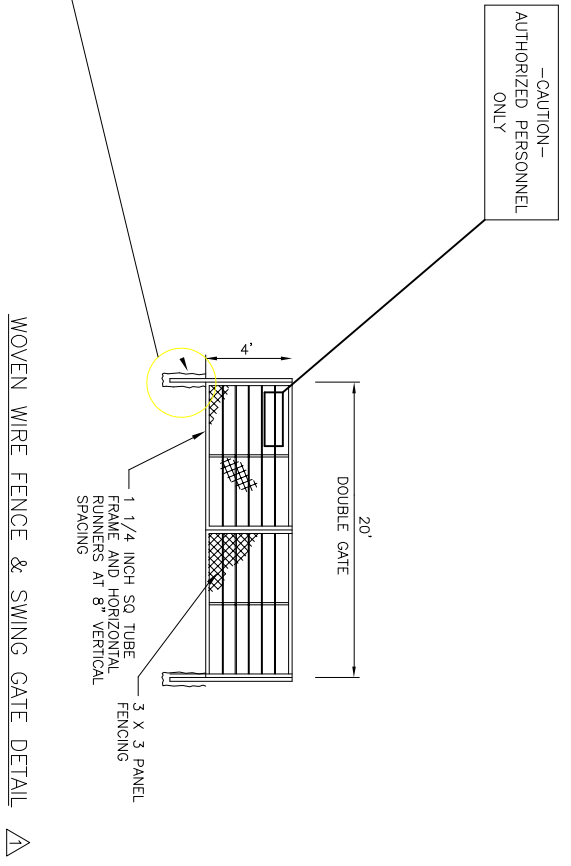
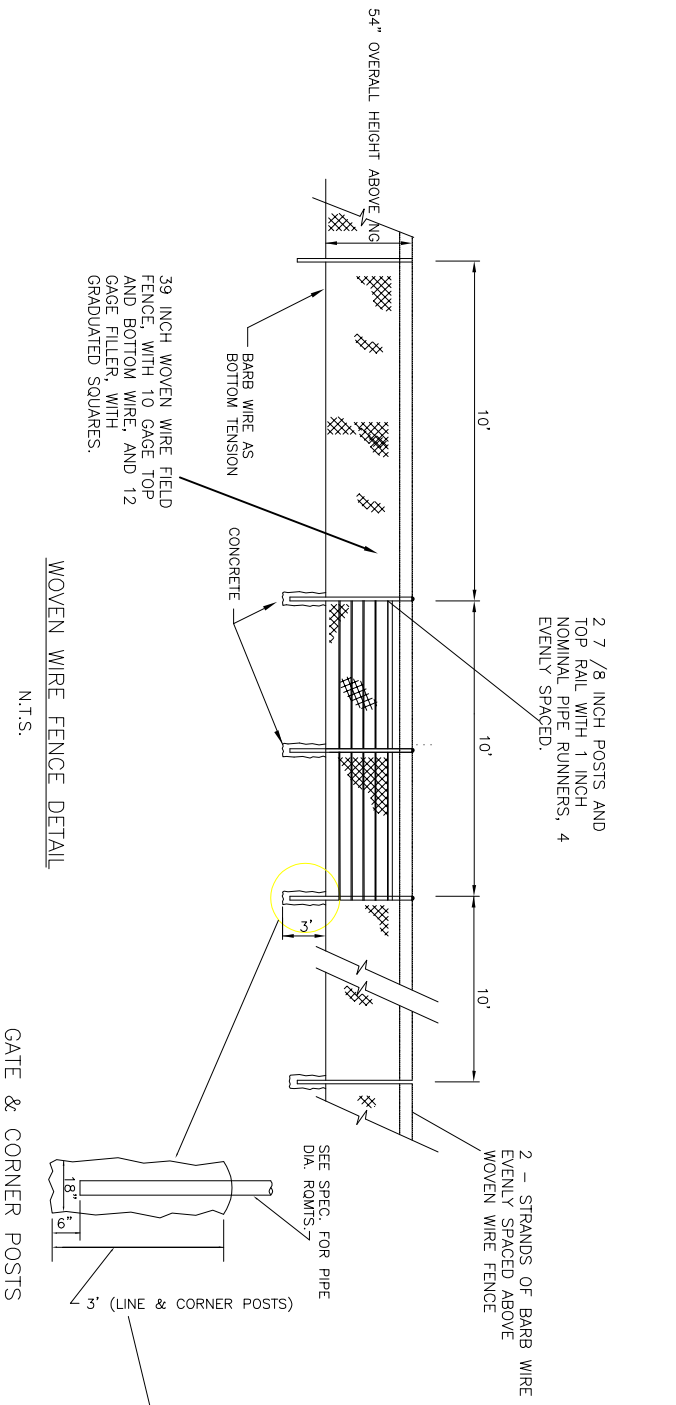
- S & R Cabin Fence - Contractor shall leave a 16 ft. wide gap between fence sections centered on the existing asphalt road to allow for SRA installed swing gate.
- Contractor shall provide Automatic gate opener as shown on plan sheet 3. Opener shall be as follows or approved equal:

Lift Master CSL 24VDC Solar for slide gate , with one (1) key pad gate opener on the exterior, and in ground safety loop opening sensor on the interior.

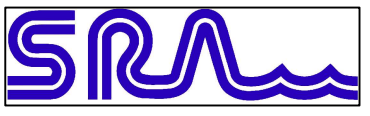


March 7, 2023

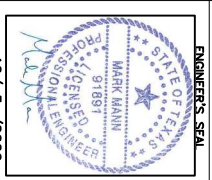
END



REVISIONS			
DATE	SYM	BY	REVIS
3/7/23	MM	MM	REVISED BY ADDENDUM NO. 1



SABINE RIVER AUTHORITY
OF TEXAS
LAKE FORK DIVISION
FENCE DETAILS



DATE	12/5/2022
SCALE	AS SHOWN
DRAWN BY	MM
CHECKED BY	MM
SHEET	3 OF 3
DWG. NAME	FENCE DETAILS